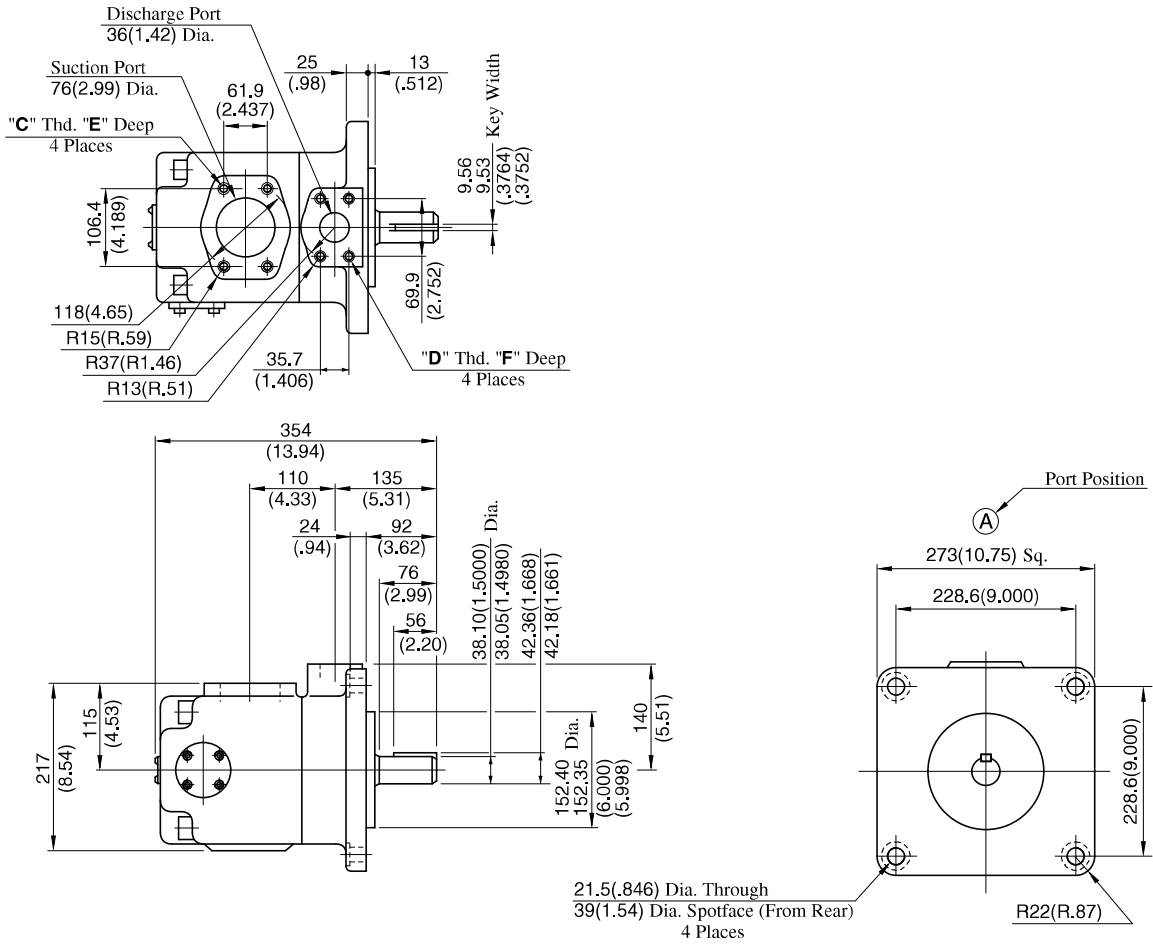


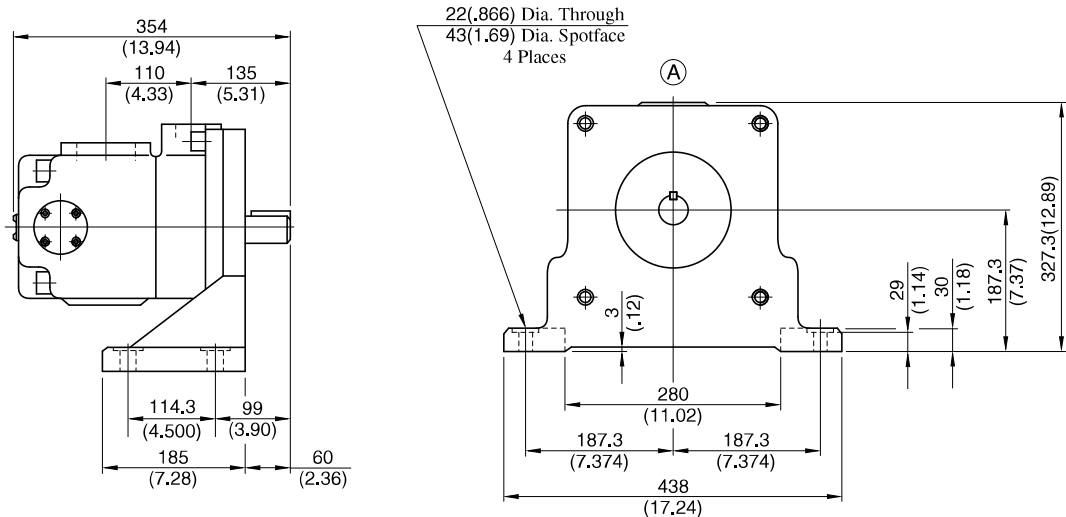
Flange Mtg.: PV2R4-*-F-RAA-30/3090



Model Numbers	"C" Thd.	"D" Thd.	Dimensions mm (Inches)	
			E	F
PV2R4-*-F-RAA-30	M16	M12	19 (.75)	19 (.75)
PV2R4-*-F-RAA-3090	5/8-11 UNC	1/2-13 UNC	21 (.83)	21 (.83)

DIMENSIONS IN MILLIMETRES (INCHES)

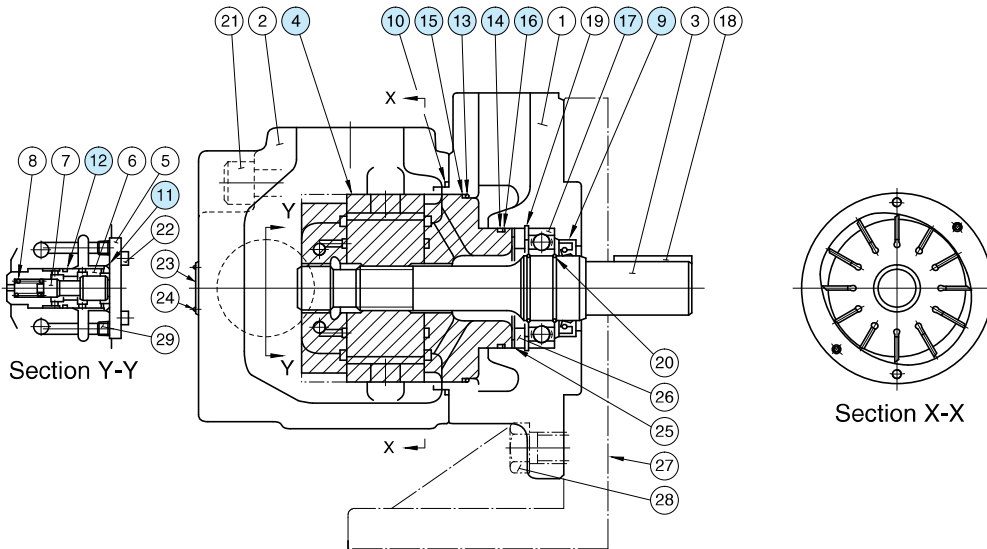
Foot Mtg.: PV2R4-*-L-RAA-30/3090



• For other dimensions, refer to "Flange Mtg.".

Spare Parts List

PV2R1-**-**-RAA-42/4290
 PV2R2-**-**-RAA-41/4190
 PV2R3-**-**-RAA-31/3190
 PV2R4-**-**-RAA-30/3090



Cartridge Kits

Model Numbers	④ Cartridge Kit Numbers	Model Numbers	④ Cartridge Kit Numbers
PV2R1-6-**-RAA-42*	CPV2R1-6-R-42	PV2R2-41-**-RAA-41*	CPV2R2-41-R-41
PV2R1-8-**-RAA-42*	CPV2R1-8-R-42	PV2R2-47-**-RAA-41*	CPV2R2-47-R-41
PV2R1-10-**-RAA-42*	CPV2R1-10-R-42	PV2R2-53-**-RAA-41*	CPV2R2-53-R-41
PV2R1-12-**-RAA-42*	CPV2R1-12-R-42	PV2R2-59-**-RAA-41*	CPV2R2-59-R-41
PV2R1-14-**-RAA-42*	CPV2R1-14-R-42	PV2R2-65-**-RAA-41*	CPV2R2-65-R-41
PV2R1-17-**-RAA-42*	CPV2R1-17-R-42	PV2R3-76-**-RAA-31*	CPV2R3-76-R-31
PV2R1-19-**-RAA-42*	CPV2R1-19-R-42	PV2R3-94-**-RAA-31*	CPV2R3-94-R-31
PV2R1-23-**-RAA-42*	CPV2R1-23-R-42	PV2R3-116-**-RAA-31*	CPV2R3-116-R-31
PV2R1-25-**-RAA-42*	CPV2R1-25-R-42	PV2R4-136-**-RAA-30*	CPV2R4-136-R-30
PV2R1-31-**-RAA-42*	CPV2R1-31-R-42	PV2R4-153-**-RAA-30*	CPV2R4-153-R-30
		PV2R4-184-**-RAA-30*	CPV2R4-184-R-30
		PV2R4-200-**-RAA-30*	CPV2R4-200-R-30
		PV2R4-237-**-RAA-30*	CPV2R4-237-R-30

Seals & Bearings

Item	Name of Parts	Part Numbers				Qty.
		PV2R1	PV2R2	PV2R3	PV2R4	
9*	Oil Seal	ISD 26 42 8	ISD 30 42 8	ISD 35 55 11	ISD 45 68 12	1
10*	O-Ring	SO-NB-G80	SO-NB-G105	SO-NB-G135	SO-NB-G145	1
11*	O-Ring	—	—	—	SO-NB-P28	1
12*	O-Ring	—	—	—	SO-NB-P22A	1
13*	O-Ring	SO-NB-G60	SO-NB-G85	SO-NB-G115	SO-NA-G130	1
14*	O-Ring	SO-NB-G30	SO-NB-P46	SO-NB-A231	SO-NA-G80	1
15*	Back Up Ring	—	—	—	SO-BE-G130	1
16*	Back Up Ring	—	—	—	SO-BB-G80	1
17	Bearing	6004	6205	6207	6209	1

- Note: 1) Item Nos. ⑬ and ⑭ (o-rings) and ⑮ and ⑯ (back up rings) are included in cartridge kit.
 2) For pumps for phosphate ester type hydraulic fluids different part Nos. are used. Please contact us.
 ★ When ordering seals, please specify the kit number from the table right.

List of Seal Kits

Pump Model Numbers	Seal Kit Numbers
PV2R1-**-**-RAA-42/4290	KS-PV2R1-40
PV2R2-**-**-RAA-41/4190	KS-PV2R2-40
PV2R3-**-**-RAA-31/3190	KS-PV2R3-30
PV2R4-**-**-RAA-30/3090	KS-PV2R4-30