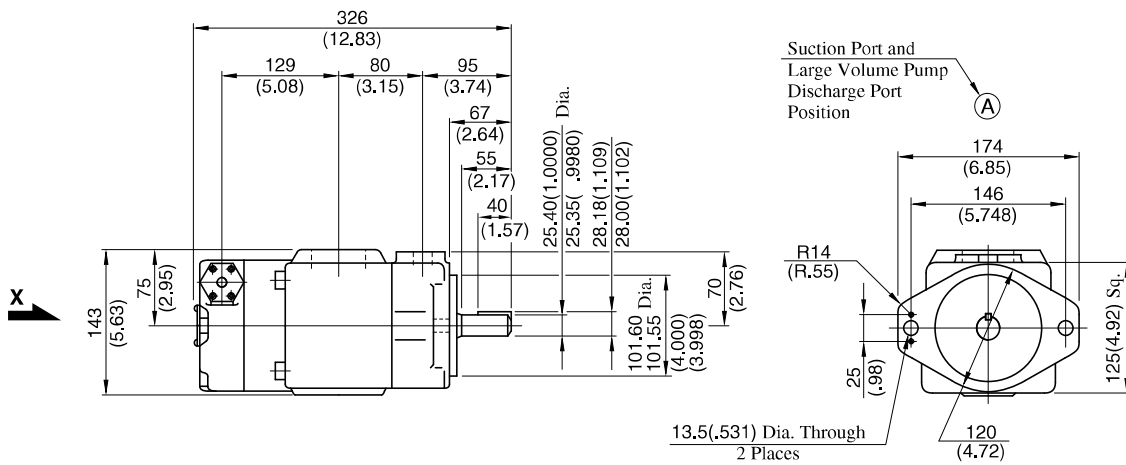
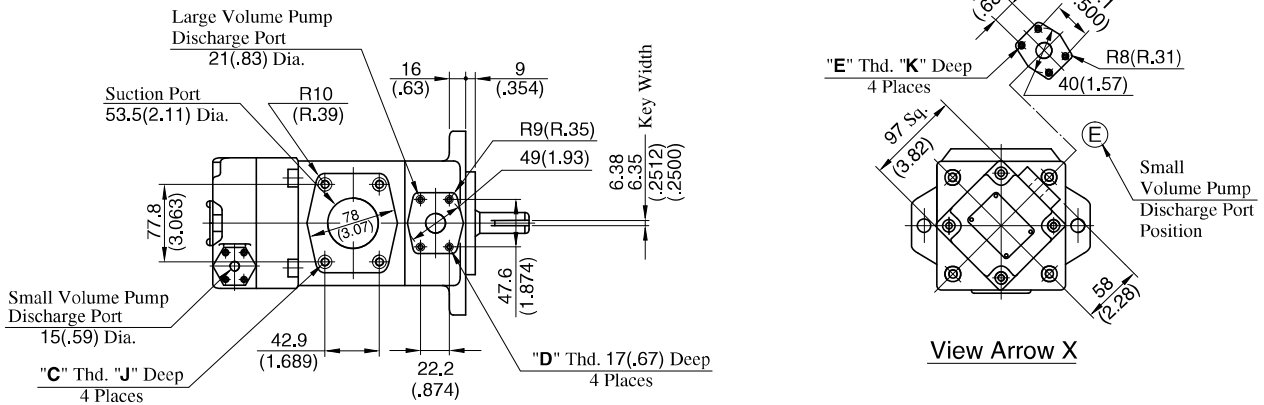




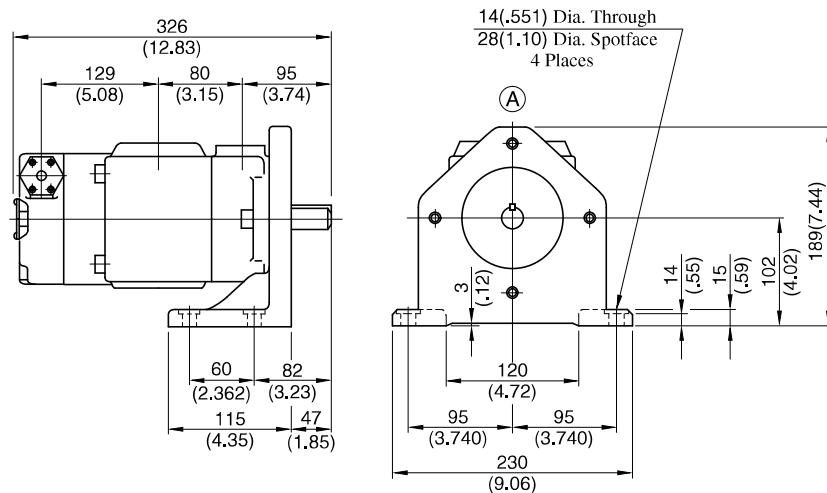
Flange Mtg.: PV2R12-\*\*-F-REAA-42/4290



| Model Numbers         | "C" Thd.   | "D" Thd.   | "E" Thd.    | Dimensions mm (Inches) |          |
|-----------------------|------------|------------|-------------|------------------------|----------|
|                       |            |            |             | J                      | K        |
| PV2R12-**-F-REAA-42   | M12        | M10        | M8          | 19 (.75)               | 14 (.55) |
| PV2R12-**-F-REAA-4290 | 1/2-13 UNC | 3/8-16 UNC | 5/16-18 UNC | 21 (.83)               | 16 (.63) |

DIMENSIONS IN  
MILLIMETRES (INCHES)

Foot Mtg.: PV2R12-\*\*-L-REAA-42/4290



• For other dimensions, refer to "Flange Mtg.".