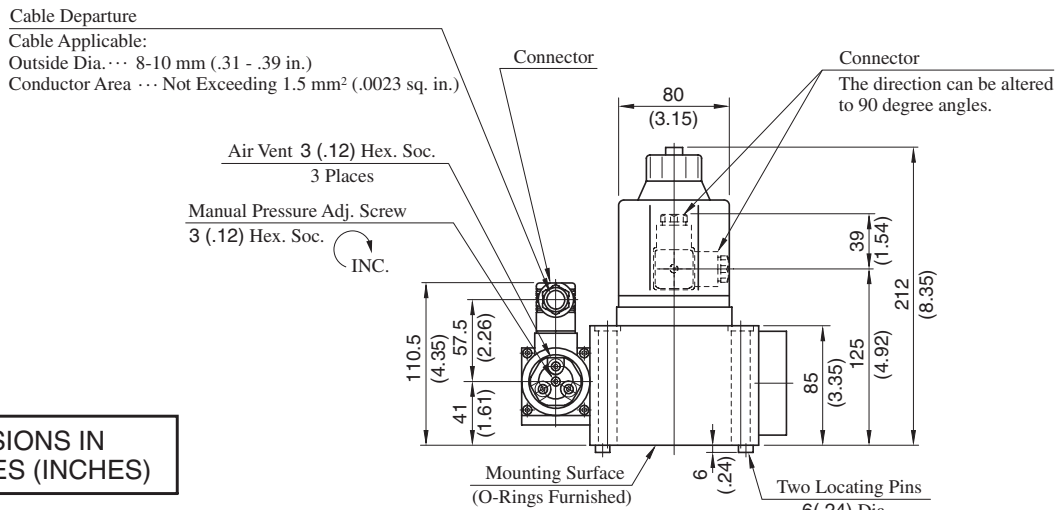
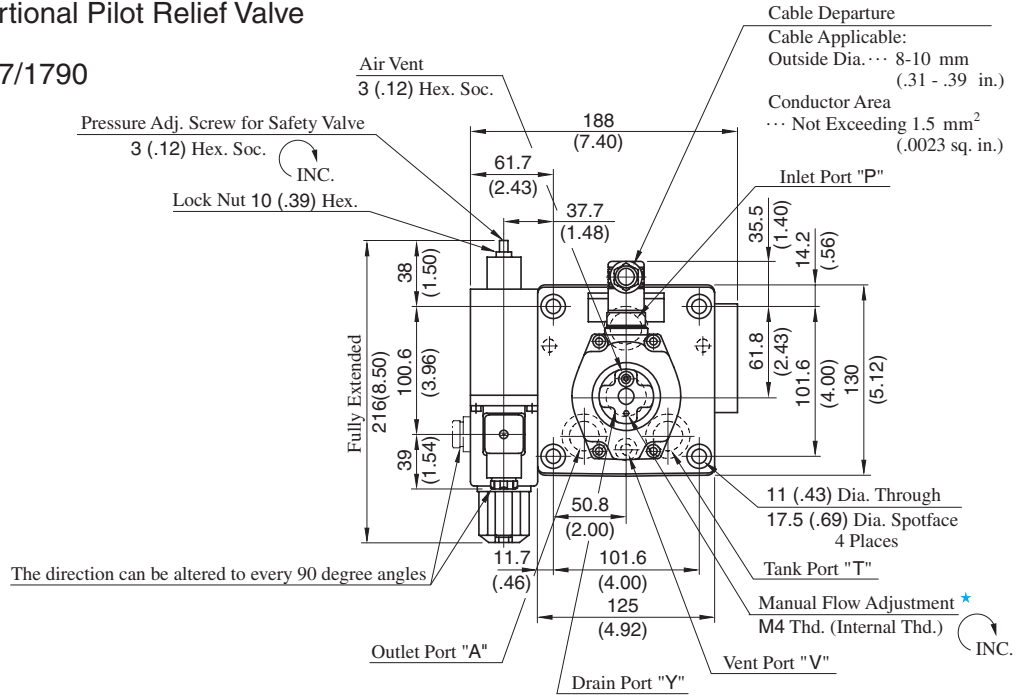


**Models with Proportional Pilot Relief Valve**

EFBG-03-125-<sup>C</sup><sub>H</sub>-17/1790



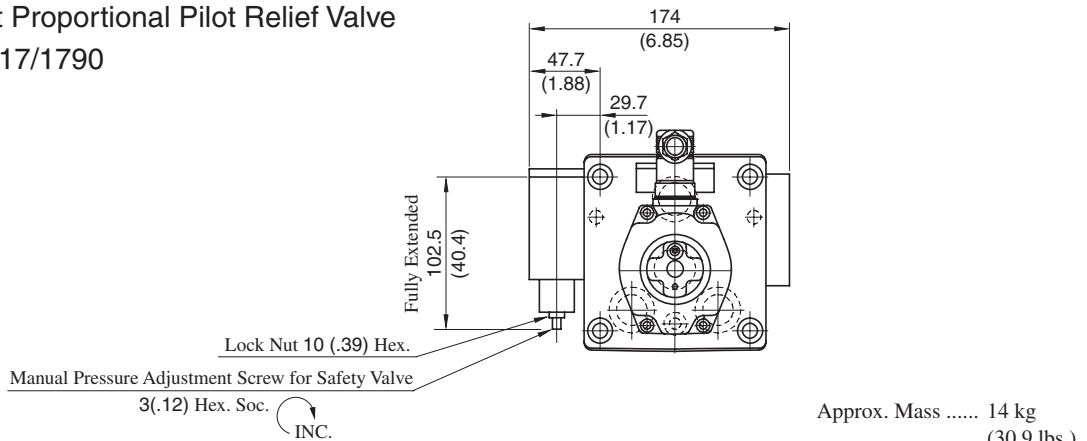
**DIMENSIONS IN MILLIMETRES (INCHES)**

★ Manual flow adjustment can be done by screwing for example an M4×20L screw in the M4 thread or pushing in a rod etc. there.

Approx. Mass ..... 16 kg (35.3 lbs.)

**Models without Proportional Pilot Relief Valve**

EFBG-03-125-17/1790



• For other dimensions, please refer to the models with proportional pilot relief valve.