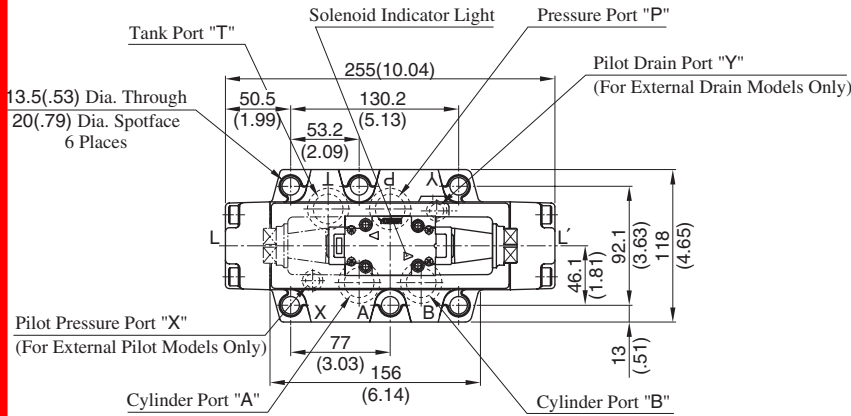
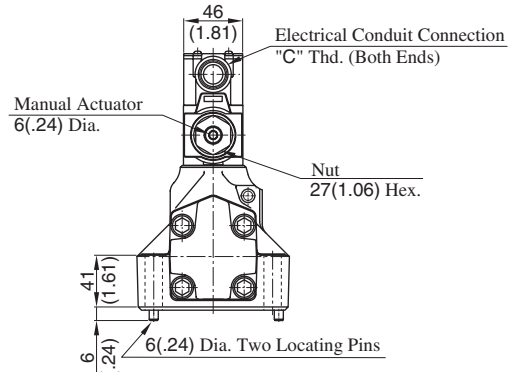
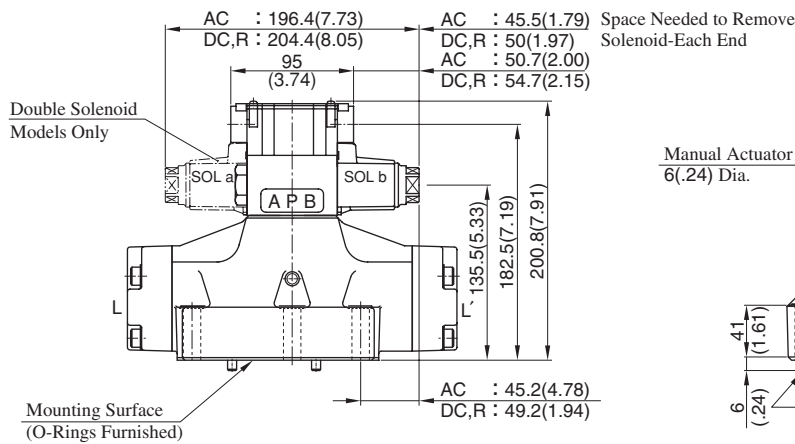


## Terminal Box Type: (S)-DSHG-06-\*\*\*-\*-53/5390

Mounting surface:  
ISO 4401-AE-08-4-A

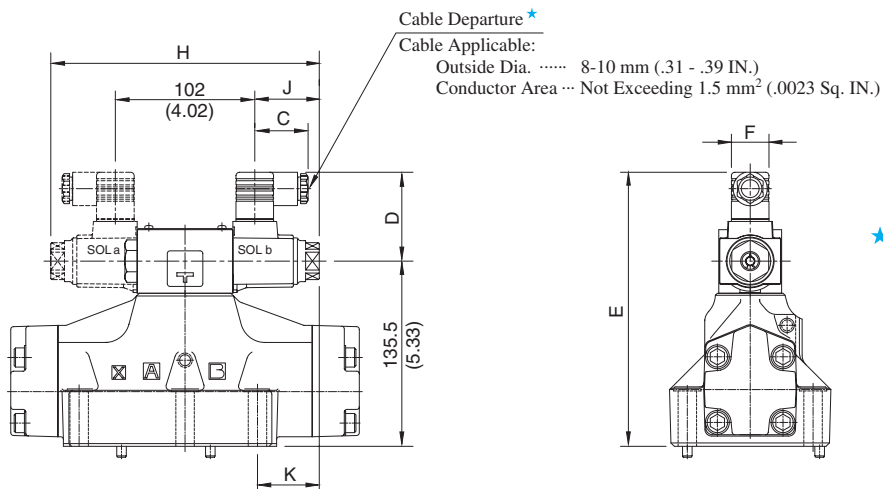


Model Numbers	"C" Thd.
(S)-DSHG-06-***-*-53	G 1/2
(S)-DSHG-06-***-*-5390	1/2 NPT



DIMENSIONS IN  
MILLIMETRES (INCHES)

## Plug-in Connector Type: (S)-DSHG-06-\*\*\*-\*-N<sub>N1</sub>-53/5390



★ Position of cable departure can be changed. For details, refer to DSHG-01 valve on page 396.

Model Numbers	Dimensions mm (Inches)						
	C	D	E	F	H	J	K
(S)-DSHG-06-***-A*-N/N1	39 (1.54)	53 (2.09)	200.5 (7.95)	27.5 (1.08)	196.4 (7.73)	47.2 (1.86)	45.2 (1.78)
(S)-DSHG-06-***-D*-N/N1	39 (1.54)	64 (2.52)	211.5 (8.33)	27.5 (1.08)	204.4 (8.05)	51.2 (2.02)	49.2 (1.94)
(S)-DSHG-06-***-R*-N	53 (2.09)	57.2 (2.25)	214.5 (8.44)	34 (1.34)			

• For other dimensions, refer to "Terminal Box Type".

E  
Solenoid Controlled Pilot Operated Directional Valves