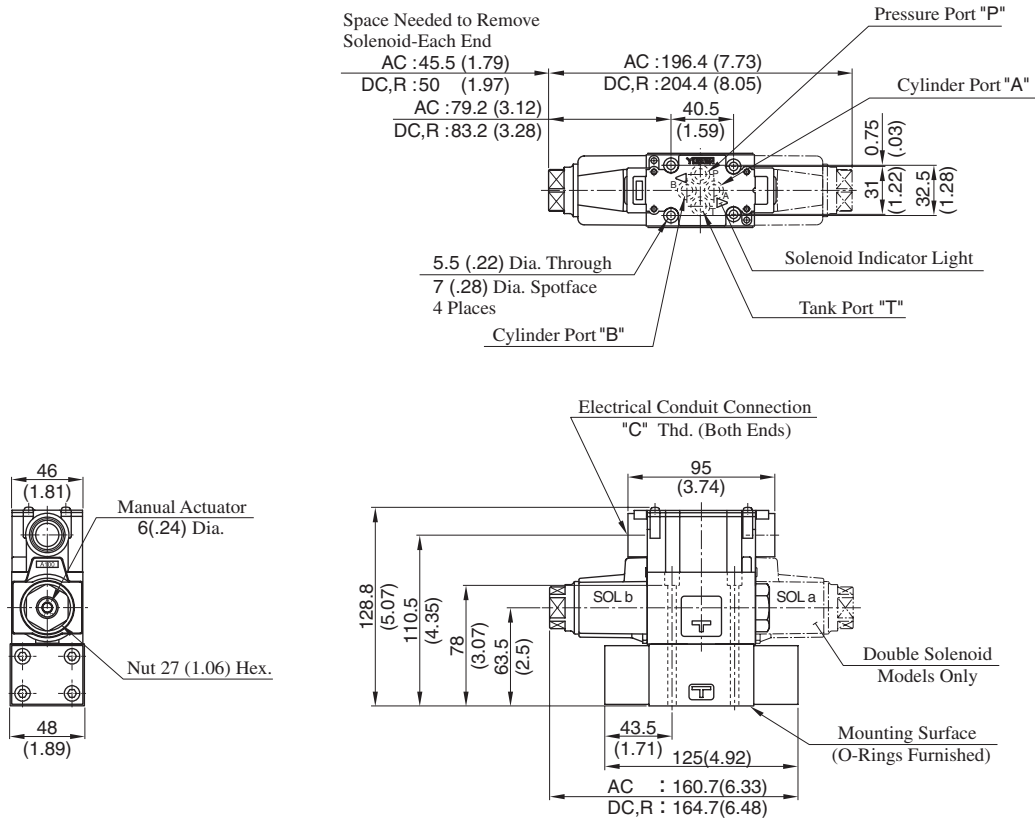


Terminal Box type: DSHG-01-\*\*\*-\*-14/1490

Mounting surface: ISO 4401-AB-03-4-A

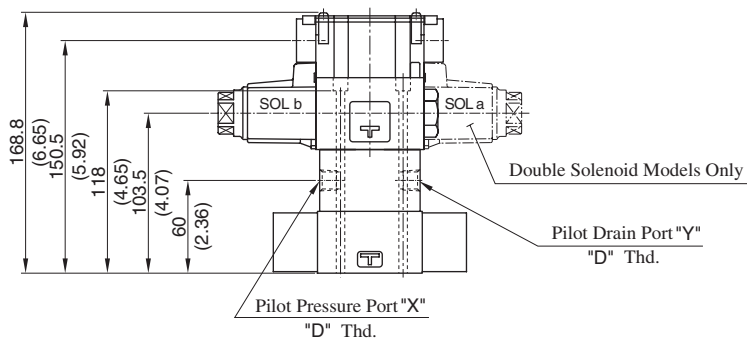
● Internal Pilot - Internal Drain



Model Numbers	"C" Thd. "D" Thd.
DSHG-01-***-*-14	G 1/2 Rc 1/4
DSHG-01-***-*-1490	1/2 NPT 1/4 NPT

DIMENSIONS IN MILLIMETRES (INCHES)

- External Pilot - External Drain
- External Pilot - Internal Drain
- Internal Pilot - External Drain



● For other dimensions, refer to "Internal Pilot Internal Drain".