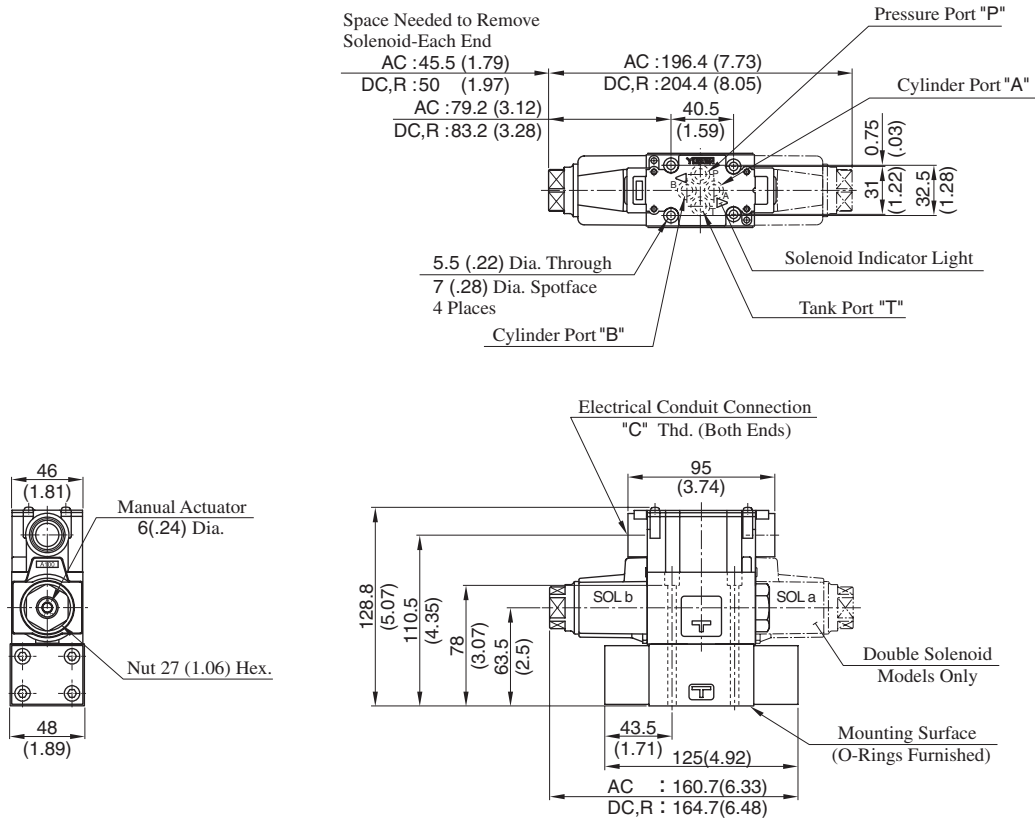


Terminal Box type: DSHG-01-\*\*\*-\*-14/1490

Mounting surface: ISO 4401-AB-03-4-A

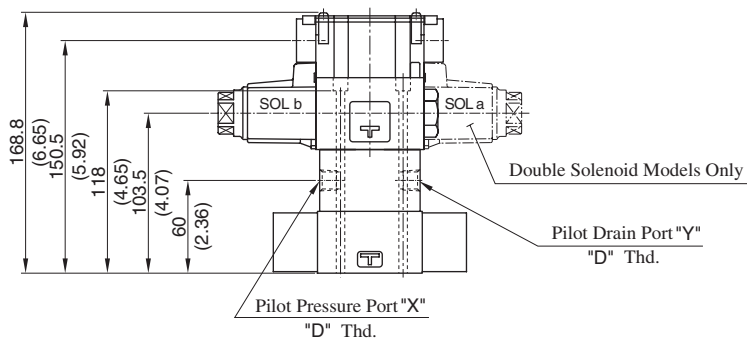
Internal Pilot - Internal Drain



Model Numbers	"C" Thd.	"D" Thd.
DSHG-01-***-*-14	G 1/2	Rc 1/4
DSHG-01-***-*-1490	1/2 NPT	1/4 NPT

DIMENSIONS IN MILLIMETRES (INCHES)

- External Pilot - External Drain
- External Pilot - Internal Drain
- Internal Pilot - External Drain



For other dimensions, refer to "Internal Pilot Internal Drain".

E  
Solenoid Controlled Pilot Operated Directional Valves